

**Ferrite Magnet Steel Chassis Driver**



**Specifications**

**General Specifications**

Nominal diameter.....	381 mm/15 in
Power rating.....	600 W(AES)
Nominal impedance.....	4Ω
Sensitivity.....	96 dB
Frequency range.....	40-20000 Hz
Chassis type.....	Heavy Duty Stamp Steel
Magnet type.....	Ferrite
Magnet weight.....	2.36 kg/83.1 oz
Voice coil diameter.....	89 mm/3.5 in
Coil material.....	SV-W / AL-R
Former material.....	Glass fiber
Cone material.....	Paper
Surround material.....	Cloth
Suspension.....	Single
X-max.....	5.2 mm/0.20 in
Gap depth.....	10 mm/0.39 in
Voice coil winding width.....	20.4 mm/0.80 in
Net Weight.....	13.4 kg/29.5 lb
Packing Dimension WxDxH.....	415 x 415 x 280 mm
Shipping Weight.....	14.8 kg/32.6 lb

**Small Signal Parameters**

Re.....	3.4 Ω
Fs.....	49 Hz
Mms.....	100.40 g/3.39 oz
Mmd.....	85.35 g/2.89 oz
Qms.....	9.57
Qes.....	0.51
Qts.....	0.49
Vas.....	111.74 lt/3.95 ft <sup>3</sup>
SD.....	881 cm <sup>2</sup>
Bl.....	14.4 Tm
Cms.....	1.0e-04 m/N
Rms.....	3.29 Ns/m
Le (at 1kHz).....	0.38 mH

**Features**

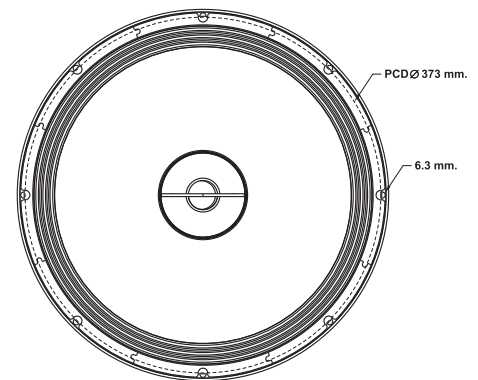
- Coaxial Two Way Design
- 3.5" Woofer Voice Coil
- 2400 Watts Peak Woofer Power Handling
- Large Format Titanium Compression Driver
- Ferrite Magnetics

**Applications**

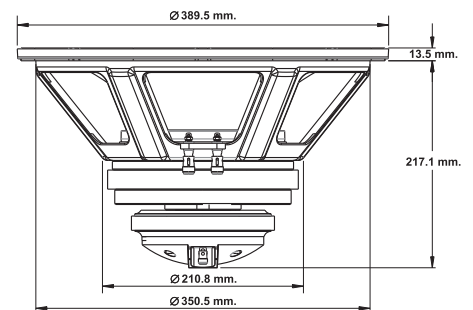
The P Audio SN15-600CXF is a large format coaxial 15 inch (381mm) loudspeaker. The low frequency section features a long excursion 3.5 inch (89mm) voice coil design that is optimized for use in very high output two way designs. The SN15-600CXF will provide substantial low frequency acoustic output and excellent vocal range fundamental response. The low frequency cone is conformally treated to insure extended piston range response and long life. The large diameter voice coil will provide 2400 watts of peak power handling and very high peak sound pressure levels.

The high frequency section utilizes a P Audio large format 3 inch (76mm) titanium compression driver mounted to the rear of the LF magnetic system. The large format HF driver is horn loaded to provide extended bandwidth and ultra low distortion. The titanium compression driver format insures superior upper vocal range performance and extended high frequency bandwidth.

The SN15-600CXF may be used in full range designs or in very high output monitor configurations. The coaxial format provides very good time domain response and alignment. The extended low frequency capability allows this design to be used in very high performance, high output systems in professional environments.



TOP VIEW



SIDE VIEW

**Frequency Response and Impedance Curves**

