

2 way full range speaker system



X3-12P

The P Audio X3-12P is a light weight high performance sound reinforcement loudspeaker enclosure. The X3-12P is a passive design that incorporates a high order passive filter to ensure accurate amplitude response. The unique geometry of the X3-12P enclosure allows use as either a conventional sound reinforcement enclosure or as a floor monitor. The X3-12P is a very flexible design and may be used in a wide variety of professional applications.

The X3-12 is a two way design the features a 12" (305mm) low frequency section and a true compression driver coupled to a 90 degree by 60 degree waveguide. The high acoustic sensitivity and output capability makes the X3-12 and ideal choice for a variety of professional applications. These applications include portable DJ applications, live sound venues, commercial environments and general public address requirements. The 12 inch woofer is an excellent choice for intelligibility throughout the vocal range.

The system transducers were selected to provide superior fidelity and reliability. The design is characterized by very high power handling and excellent amplitude linearity.

The X3-12 is an injection molded design that is light weight and includes an integral 1 3/8" (35mm) industry standard "top hat" for use with standard loudspeaker stands. The enclosure design is very rugged and features a heavy gauge steel protective grill. The design is a light weight 15.8kg 34.8 lbs).

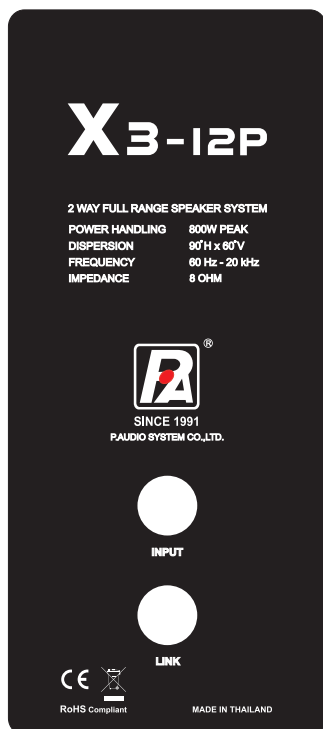
Features

- 800 Watts Peak Power Handling
- Optimized Two-way Crossover
- 2 Locking Speaker Connectors
- 12 Inch (305mm) Low Frequency Transducer
- Ultra-Deep Bass Response and Clear Treble
- True Compression Driver
- Integrated 35mm Stand Adaptor
- Rugged Injection Molded Design

PASSIVE SPEAKER

X3-12P

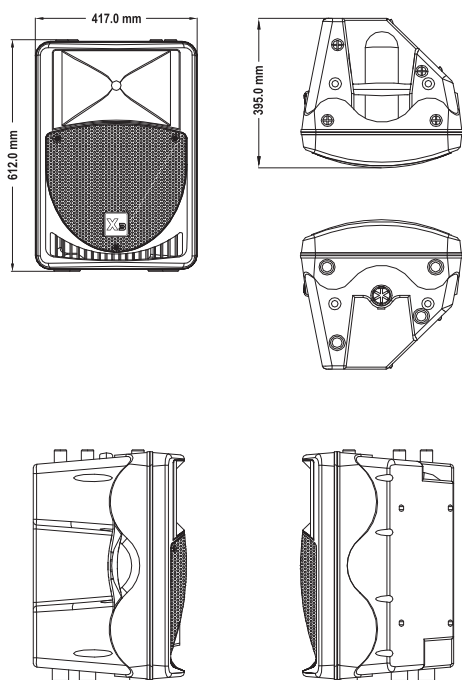
2 way full range speaker system



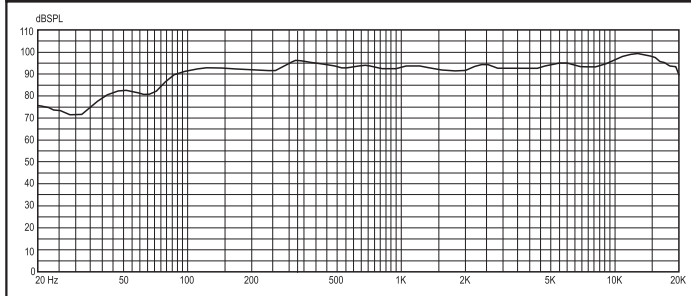
Specification

Frequency Response	60Hz - 20kHz
Max Peak SPL	121 dB
Rated Coverage Angle	90°H x 60°V
Input Type	2 x Locking Loudspeaker Connectors (Paralleled)
Sensitivity	95 dB
Weight	15.8kg (34.8 lbs)
Dimensions	612 x 417 x 395 (mm) 24.1 x 16.4 x 15.5 (in)

Dimensions



Frequency Response



X3 SERIES



P.Audio System Co.,Ltd.

19/4 Moo 2 T.Bangkratuk A.Samparn Nakornpathom 73210 Thailand

Tel: +66(2) 441 6600 Fax: +66(2) 441 6699

E-mail: info@paudiothailand.com Website: www.paudiothailand.com