

X9-15A TWO WAY 15" FULL RANGE ACTIVE SPEAKER



APPLICATIONS

- Portable Sound Reinforcement
- Fixed Install
- High Output Live Music Reinforcement

FEATURES

- 1200 Watts Peak Bi-Amplification
- 1000 Watts Low Frequency Power/200 Watts High Frequency Power
- 60 x 40 Constant Directivity Medium to Long Throw Wave Guide
- Medium Format 44mm Pure Titanium Compression Driver
- Multiple M10 Rigging Points
- Mic Level and Line Level Input Mixing

The P Audio X9 Sound Reinforcement System is a very high output bi-amplified powered loudspeaker designed to provide excellent fidelity, intelligibility and high output while maintaining ultra high reliability.

The X9 is a fully powered design that features a class D low frequency module that generates 1000 watts of peak power and 500 watts of continuous power. The high frequency section is driven by a class D amplifier that delivers 200 watts of peak power and 100 watts of continuous power. The X9 design incorporates a matched set of high order active filters that provide 4th order crossovers that have been optimized for both the low frequency and high frequency transducer sections. The input pre amplifier features active equalization that optimizes the amplitude response of each pass band. The on-board peak limiter is precisely calibrated to provide maximum clean output power. The amplifier section also features a 4th order high pass filter located in the low pass filter block to insure maximum system dynamics and system excursion control. The X9 input section features professional mixer style XLR mic level and line level inputs. Both inputs are electronically balanced. The X9 also includes a line level RCA input. The mic level and line level inputs include user adjustable gain functions. The system also features an XLR thru to allow multiple X9 systems to be utilized in larger venues. In addition of fully adjustable mic and line level controls, the X9 also includes both low and high shelving type equalization. The turnover frequencies are designed to provide boost and cut functions in the last two octaves of the low frequency and high frequency pass bands. The X9 also includes a master gain section that allows the user to set the overall system gain after both mic and line level gains have been determined. Precise peak limiting circuits insure excellent system dynamics and help prevent pre amp to power amp gain stage clipping.

The low frequency transducer utilizes a 15 inch (381mm) cone body and a narrow roller style suspension. System excursion is precisely controlled by the pre amplifier's high order high pass filter design. The low frequency component features a 3 inch large format voice coil to insure high system power handling and high reliability. The X9 compression driver is a titanium based diaphragm design that features P Audio's legendary thermal assembly systems. The medium format design (44mm) insures superior upper vocal range intelligibility and extended high frequency response. The compression driver design features a close spaced phase plug design that provides extended high frequency response.

The X9 enclosure is a rugged injection molded polypropylene material. The enclosed design features multiple M10 rigging points designed for use with standard M10 eyebolts, which allows the X9 to be permanently installed in indoor venues for fixed installation public address and sound reinforcement applications. The enclosure also includes an integral 1.375 inch (35mm) industry standard top hat style speaker stand adaptor. The enclosure design features a dual angle geometry that allows the X9 to be used as either a general purpose professional sound reinforcement system or as a very high power floor monitor.

The P. Audio X9 is ideal for medium to high power sound reinforcement applications such as portable sound reinforcement, fixed installation in nightclubs and pubs and for use in general purpose public address environments. Medium sized venues are an excellent application for the X9 due to its high peak power and high sound pressure level capability.

X9 SERIES

WWW.PAUDIOTHAILAND.COM



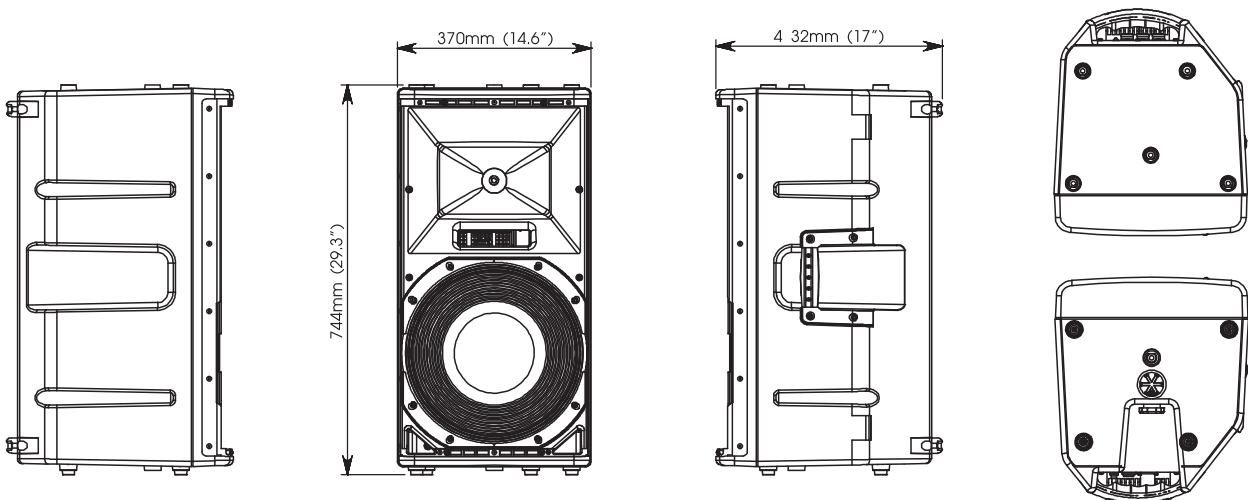
X9-15A TWO WAY 15" FULL RANGE ACTIVE SPEAKER



SPECIFICATIONS

Frequency Response (-10dB)	50Hz - 20kHz
Maximum Peak SPL	126dB
Dispersion (H x V)	60° x 40°
LF Components	15" Woofer
HF Components	1.75" Compression Driver
Connections	XLR Microphone Input, XLR Line Input, RCA Line Input, XLR Line output (THRU)
Input Impedance	Mic 2k° Balanced 1k° Unbalanced Line 22k° Balanced
Input Sensitivity	Microphone Input: 3mv Line XLR 0.775V (0 dBu) RCA 200mV (L+R)
Control	Mic Level control Line Level Control Bass Level Control (+/-6dB) Treble Level Control (+/-6dB) Voltage Select 115V-230V
Power Output	500w RMS Low Frequency Class D 1000w PEAK Low Frequency 100w RMS High Frequency Class D 200w PEAK High Frequency Linear Power Supply
Protection Circuits	Turn on delay, Short Circuit Protection, DC Voltage Protection, Peak voltage limiter, Over Temperature protection
Net Weight	33 kg / 72.8 lbs
Dimensions (HxWxD)	744 x 370 x 432 (mm) 29.3 x 14.6 x 17 (in)

DIMENSIONS



X9 SERIES

WWW.PAUDIOTHAILAND.COM

