

Neodymium Magnet Die-cast Chassis Driver



Specifications

General Specifications

Nominal diameter.....	203 mm/8 in
Power rating.....	250 W(AES)
Nominal impedance.....	8Ω
Sensitivity.....	97 dB
Frequency range.....	60-20000 Hz
Chassis type.....	Cast aluminum
Magnet type.....	Neodymium
Magnet weight.....	0.54 kg/19.2 oz
Voice coil diameter.....	60.5 mm/2.38 in
Coil material.....	CCA-R/AL-R
Former material.....	Kapton
Cone material.....	Paper
Surround material.....	Cloth
Suspension.....	Single
X-max.....	4 mm/0.16 in
Gap depth.....	7 mm/0.28 in
Voice coil winding width.....	15 mm/0.59 in
Net Weight.....	3.6 kg/7.9 lb
Packing Dimension WxDxH.....	225 x 225 x 150 mm
Shipping Weight.....	4.1 kg/9.0 lb

Small Signal Parameters

Re.....	5.7Ω
Fs.....	85 Hz
Mms.....	20.74 g/0.73 oz
Mmd.....	18.77 g/0.66 oz
Qms.....	5.49
Qes.....	0.24
Qts.....	0.23
Vas.....	12.40 lt/0.44 ft ³
Bl.....	16.32 Tm
Cms.....	1.4e-04 m/N
Rms.....	1.97 Ns/m
Le (at 1kHz).....	0.30 mH
Sd.....	227 cm ²

Features

- Coaxial Two Way Design
- 2.38" Woofer Voice Coil
- 1000 Watts Peak Woofer Power Handling
- Medium Format Titanium Compression Driver
- Neodymium Magnetics
- Precision Rectangular Ribbon Wire Geometry
- Die Cast Aluminum Chassis

Applications

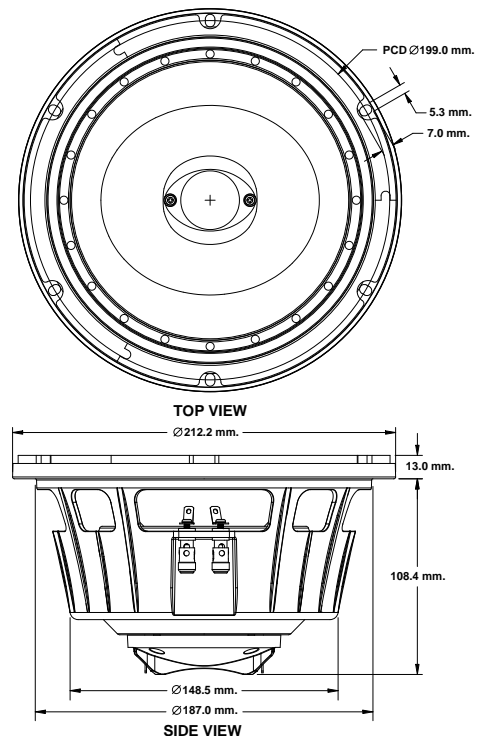
The P Audio SN8-250CX is a high performance coaxial transducer. The SN8-250CX is an upgraded design that features many of P Audio's new technologies and performance upgrades. The low frequency section utilizes a large diameter voice coil design while the high frequency section employs a medium format titanium diaphragm assembly. The 8 inch (203mm) diameter piston will produce extremely high sound pressure levels at both low and mid band frequencies and is ideal for high level response in both live sound and recorded music venues. The transducer uses very high energy neodymium magnetics to achieve a very high acoustic output to weight ratio. The SN8-250CX has been optimized for use in two way or three way sound reinforcement systems and has an operating range of 60Hz to 20000Hz.

The SN8-250CX features a large 2.38 inch (60.5mm) diameter voice coil that provides an AES rated 250 watts of continuous power handling and a full 1000 watts of peak rated power handling when sufficient amplifier headroom is available. The SN8-250CX employs P Audio's under damper venting to control turbulent air flow.

The voice coil design is a bobbin wound geometry with P Audio's rectangular wire technology to improve conversion efficiency and provide a large cross-sectional area for superior cooling.

The high frequency section is a close spaced titanium diaphragm assembly. The diaphragm is a 1.34 inch (34mm) diaphragm that provides excellent high frequency response and superior power handling and durability. The horn loading is a thru pole piece design. The overall high frequency design provides very high sensitivity.

The transducer chassis is a die cast aluminum design that insures a very high degree of structural integrity.



Frequency Response and Impedance Curves

