

CSF061.70K

Lavoce

6.5" COAXIAL

FERRITE COMMON HF\LF MAGNET
STEEL BASKET DRIVER

PRELIMINARY

- 1.7 INCH LF EDGEWOUND CCA VOICE COIL
- 1.4 INCH HF CCA VOICE COIL
- 92 dB/SPL SENSITIVITY
- 300 WATT PROGRAM POWER HANDLING
- FEM OPTIMIZED COMMON MOTOR, PHASEPLUG AND DIAPHRAGM
- 95 - 20000 Hz FREQUENCY RANGE
- 100° NOMINAL COVERAGE
- POLYIMIDE HF DIAPHRAGM
- DOUBLE ALUMINIUM DEMODULATING RING
- COMPACT AND LIGHTWEIGHT DESIGN



GENERAL SPECIFICATIONS

	LF	HF
LF Nominal diameter / HF Exit	mm (in.) 165 (6.5)	25,4 (1)
Nominal impedance	Ω 8	8
Minimum impedance	Ω 5,9	7,5
Program power (1)	W 300	70
AES Power rating (2)	W 150	35
Sensitivity (3)	dB 92	103,5
Frequency range	Hz 95 ÷ 6000	1500 ÷ 20000
Voice coil diameter	mm (in.) 44 (1.7)	35 (1.4)
Chassis material	Steel	
Magnet material	Ferrite	
Magnet dimensions	mm 130 x 57 x 14	
OD x ID x h	(in.) (5.12 x 2.24 x 0.55)	
Coil material	Edgewound CCA	CCA
Former material	Glass Fiber	Kapton
LF Cone / HF Dome material	Waterproof Treated Paper	Polyimide
Surround material	Polycotton	Polyimide
Flux density	T 0,95	1,3
Recommended crossover (4)	Hz -	2200
Xmax (5)	mm (in.) 3,9 (0.15)	-
Xmech (6)	mm (in.) 6,4 (0.25)	-
Gap height	mm (in.) 6 (0.24)	-
Voice coil winding height	mm (in.) 10,7 (0.42)	-
Driver displacement volume	l (ft³) 0,7 (0.025)	-
Recommended enclosure	l (ft³) 9 (0.32)	-
Recommended tuning	Hz Sealed	-

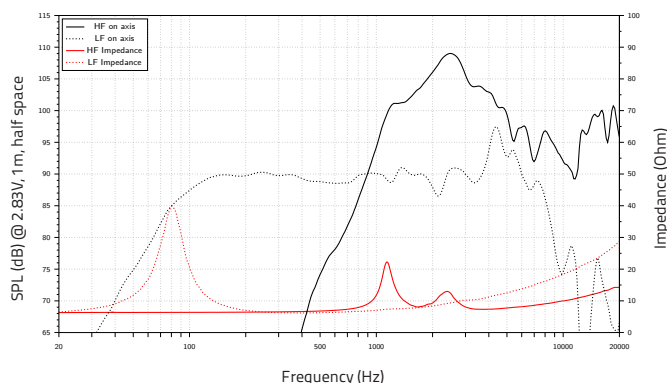
LF SMALL SIGNAL PARAMETERS

DC resistance	Re	Ohm	5,6
Resonance frequency	Fs	Hz	97
Moving mass	Mms	g (oz)	11,9 (0.42)
Compliance	Cms	mm/N	0,23
Force factor	BxL	N/A	6,9
Mechanical Q-factor	Qms		3,76
Electrical Q-factor	Qes		0,85
Total Q-factor	Qts		0,69
Equivalent air volume	Vas	l (ft³)	6,5 (0.23)
Voice coil Inductance	Le	mH	0,3
Diaphragm area	Sd	cm² (in.²)	143 (22.17)
Reference efficiency	Eta 0	%	0,7
Efficiency bandwidth product	EBP	Hz	114

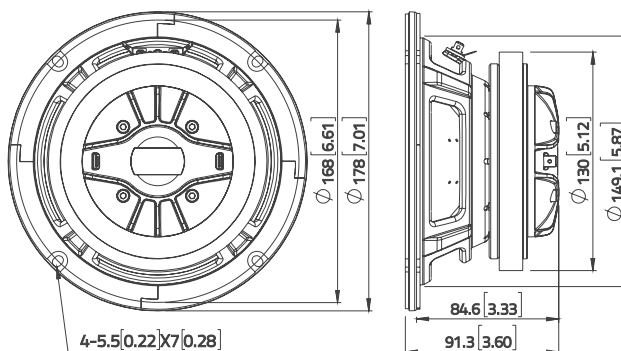
SHIPPING INFORMATION

Net weight	kg (lb.)	2 (4.4)
Multipack size (4)	mm	410 x 224 x 269
W x D x H	(in.)	(16.1 x 8.8 x 10.6)
Multipack weight	kg (lb.)	9,9 (21.8)

FREQUENCY RESPONSE AND IMPEDANCE



DIMENSIONS mm (in.)



(1) Program power is defined as 3 dB greater than AES Power.

(2) Tested in free air for two hours using a continuous:

LF: band-limited pink noise signal as per AES 2-1984 Rev. 2003.

HF: band-limited (2200-20000 Hz, 12dB/oct.) pink noise signal as per AES 2-1984 Rev. 2003.

(3) LF: From T/S parameters, measured with Klippel DA LPM module.

HF: Measured on axis at 2.83V, 1m, SPL averaged in the frequency range 1500 ÷ 20000 Hz.

(4) High pass filter with slope 12dB/oct. or higher.

(5) The Xmax is calculated as: $(Hvc - Hg) / 2 + Hg / 4$. Hvc is the voice coil height and Hg the gap height.

(6) The Xmech is calculated as: $(Hvc - Hg) / 2 - (Hg - 2)$. Hvc is the voice coil height and Hg the gap height.

(7) Thiele-Small parameters are measured after preconditioning: a) at 20°C - 22°C, 50% humidity for 2 hours; b) by Klippel LSI measurement.

All specifications subject to change without notice. G.b

WWW.LAVOCESPEAKERS.COM



Lavoce Italiana

sales@lavocespeakers.com sales.cn@lavocespeakers.com