

SAF184.02

Lavoce

18" SUBWOOFER

FERRITE MAGNET
ALUMINIUM BASKET DRIVER



- 4 INCH COPPER VOICE COIL
- 97 dB/SPL SENSITIVITY
- 2400 WATT PROGRAM POWER HANDLING
- FEM OPTIMIZED MOTOR AND SUSPENSIONS
- OPTIMIZED COOLING SYSTEM
- ALUMINIUM DEMODULATING RING
- DOUBLE SILICON SPIDER
- RESONANCE FREE AND HEAVY DUTY BASKET DESIGN
- TRIPLE ROLL SURROUND

GENERAL SPECIFICATIONS

| | | |
|----------------------------------|---------------------------|--|
| Nominal diameter | mm (in.) | 460 (18) |
| Nominal impedance | Ω | 8 |
| Minimum impedance | Ω | 5,8 |
| Program power (1) | W | 2400 |
| AES Power rating (2) | W | 1200 |
| Sensitivity (3) | dB | 97 |
| Frequency range | Hz | 40 ÷ 1000 |
| Voice coil diameter | mm (in.) | 100 (4) |
| Chassis material | Aluminium | |
| Magnet material | Ferrite | |
| Magnet dimensions OD x ID x h | mm (in.) | 220 x 120 x 25 (8.66 x 4.72 x 0.98) |
| Coil material | Copper | |
| Former material | Glass fiber | |
| Cone material | Water Proof Treated Paper | |
| Surround material | Polycotton | |
| Xmax (4) | mm (in.) | 8,4 (0.33) |
| Xmech (5) | mm (in.) | 15,4 (0.6) |
| Gap height | mm (in.) | 12 (0.47) |
| Voice coil winding height | mm (in.) | 22,7 (0.89) |
| Driver displacement volume | l (ft ³) | 8,5 (0.30) |

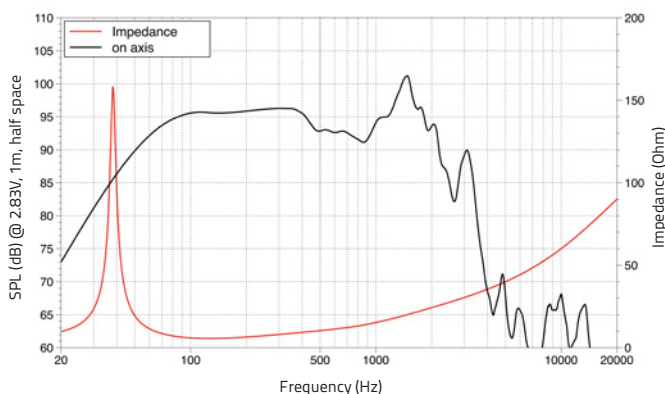
SMALL SIGNAL PARAMETERS

| | | | |
|-----------------------|-------|-------------------------------------|--------------|
| DC resistance | Re | Ohm | 4,8 |
| Resonance frequency | Fs | Hz | 38 |
| Moving mass | Mms | g (oz) | 250 (8.82) |
| Compliance | Cms | mm/N | 0,07 |
| Force factor | BxL | N/A | 24,9 |
| Mechanical Q-factor | Qms | | 10,2 |
| Electrical Q-factor | Qes | | 0,46 |
| Total Q-factor | Qts | | 0,44 |
| Equivalent air volume | Vas | l (ft ³) | 150 (5.3) |
| Voice coil inductance | Le | mH | 1,9 |
| Diaphragm area | Sd | cm ² (in. ²) | 1225 (189.9) |
| Reference efficiency | Eta 0 | % | 1,7 |

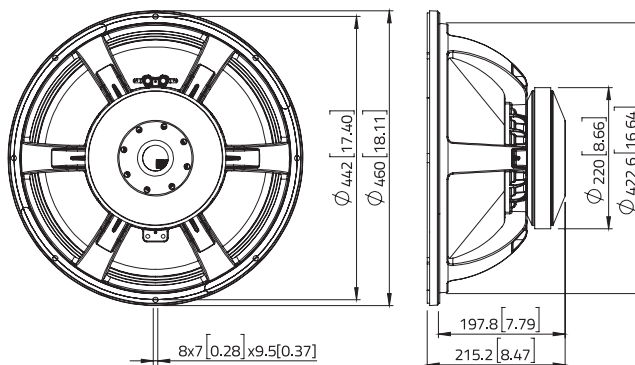
SHIPPING INFORMATION

| | | |
|--------------------|----------|-------------------------------------|
| Net weight | kg (lb.) | 13,5 (29.8) |
| Multipack size (1) | mm (in.) | 558 x 558 x 256 (22 x 22 x 10.1) |
| Multipack weight | kg (lb.) | 17,4 (38.2) |

FREQUENCY RESPONSE



DIMENSIONS mm (in.)



(1) Program power is defined as 3 dB greater than AES Power. (2) Tested for two hours using a continuous, band-limited pink noise signal as per AES 2-1984 Rev. 2003. Loudspeaker tested in free air. (3) From T/S parameters, measured with Klippel DA LPM module. (4) The Xmax is calculated as: $(Hvc - Hg)/2 + Hg/4$. Hvc is the voice coil height and Hg the gap height. (5) The Xmech is calculated as: $(Hvc - Hg)/2 + (Hg - 2)$. Hvc is the voice coil height and Hg the gap height. (6) Thiele-Small parameters are measured after preconditioning: a) at 20°C - 22°C, 50% humidity for 2 hours; b) by Klippel LSI measurement.

All specifications subject to change without notice_B.a

