

# High Frequency Horn PH-CL25

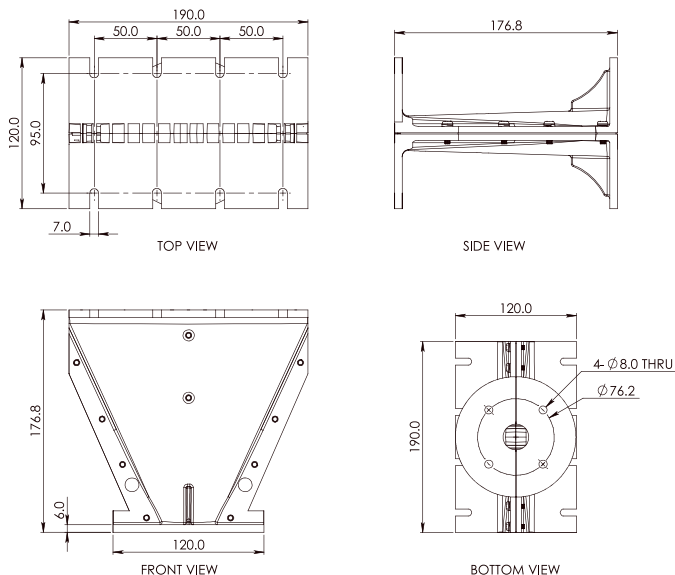


## Specifications

Cut Off Frequency ( Hz.)	1500Hz
Throat Diameter	25 mm (1")
Mounting Type	BOLT ON
Construction	Die cast Aluminium

### OVERALL DIMENSIONS :

Mount Height :	120 mm (4.72")
Mount Width :	190 mm (7.48")
Length :	177 mm (6.97")
Net Weight :	1.5 kg (3.3 lbs)
Shipping Weight :	1.8 kg (4.0 lbs)
Packing Dimension :	197mm x 127mm x 180mm 7.7" x 5.0" x 7.0"



## Applications

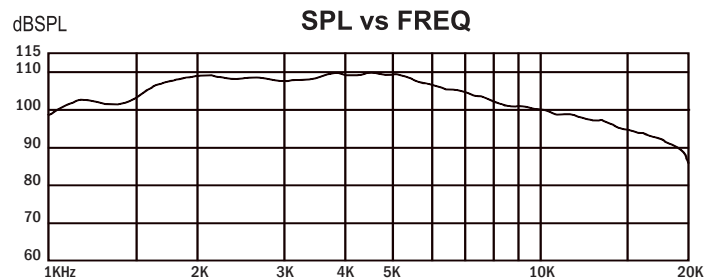
### PH-CL25 HIGH FREQUENCY HORN

The P Audio PH-CL25 (Converging Lens) is a high frequency wave guide designed for use in line array sound reinforcement systems or whenever planar wave-fronts are required. The PH-CL25 is ideally mated to the P Audio BM-D Series and PreNeo Series professional compression drivers that feature 1.0" exit diameters. The PH-CL25 is also designed to couple to any industry standard 1.0" (25.4mm) exit compression driver. The PH-CL25 will accommodate compression driver major outside diameters up to 170mm (6.69") and will allow vertical stacking of multiple PH-CL25 wave guides while still maintaining excellent wavelength spacing.

The PH-CL25 is a converging acoustic lens design that achieves excellent time coherence over the entire front of the wave guide "mouth". This converging acoustic lens design acts to convert the naturally diverging spherical wave front found in typical wave guides to a more planar, time coherent wave front suitable for use in large format or arrayed linear geometry loudspeaker system designs. The physical design of the horizontal exit width allows for the addition of customer configured horizontal radiation control boundaries of up to 120 degrees. The addition of simple mounting holes in the front flanges allow the customer supplied control boundary (horn) to be easily mounted to the PH-CL25. The recommended low frequency limit of the device is 1000Hz. Although the flare rate of the device is a lower frequency, 1500Hz is recommended to provide both good loading and reliability to the selected compression driver.

The PH-CL25 is a rugged die cast aluminum design that will accommodate both light weight neodymium based compression drivers as well as large diameter ferrite based drivers. The PH-CL25 is an excellent high frequency addition for conventional two way and three way single enclosure designs and can be easily combined to all the use of two large format 1.0" compression drivers in a single larger three way professional audio line array design.

P Audio also offers a secondary waveguide for use with the PH-CL25. The CL-WG is an accessory designed to generate a secondary 90 degree included angle in the horizontal plane and will provide excellent horizontal polar control for the PH-CL25 and compression driver.



### Response of horn with BM-D446

19/4 Moo 2 T.Bangkratuk A. Samparn Nakornpathom 73210 Thailand  
 Tel: +66-2-441-6600 Auto 30 Lines  
 e-mail: info@paudiothailand.com  
 Web site: www.paudiothailand.com  
 All rights reserved by P.Audio System Co., Ltd. 2010

